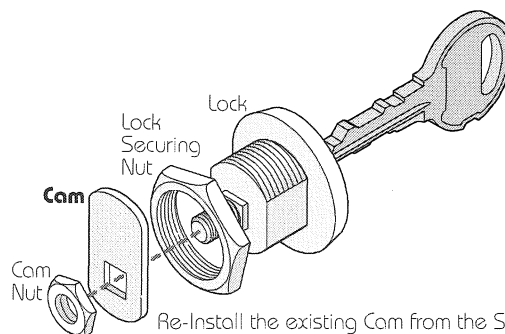




### "Random" Key Lock:

Included with every DoorKing telephone entry system is an additional "Random" key lock that can replace DoorKing's standard key lock. This adds additional security by NOT allowing the attempted use of a standard DoorKing key to try and gain unauthorized entry to other DoorKing telephone entry systems. Installing the "Random" key lock in the entry system will help prevent this from occurring.



Re-Install the existing Cam from the Standard Key Lock to the "Random" Key Lock

**DoorKing cannot replace the "Random" key if lost or stolen. DoorKing RECOMMENDS replacing the standard key lock with the "Random" key lock on DoorKing's telephone entry systems for additional security.**

[www.doorking.com](http://www.doorking.com)

DoorKing, Inc.  
120 S. Glasgow Avenue  
Inglewood, California 90301  
U.S.A.

Phone: 310-645-0023  
Fax: 310-641-1586